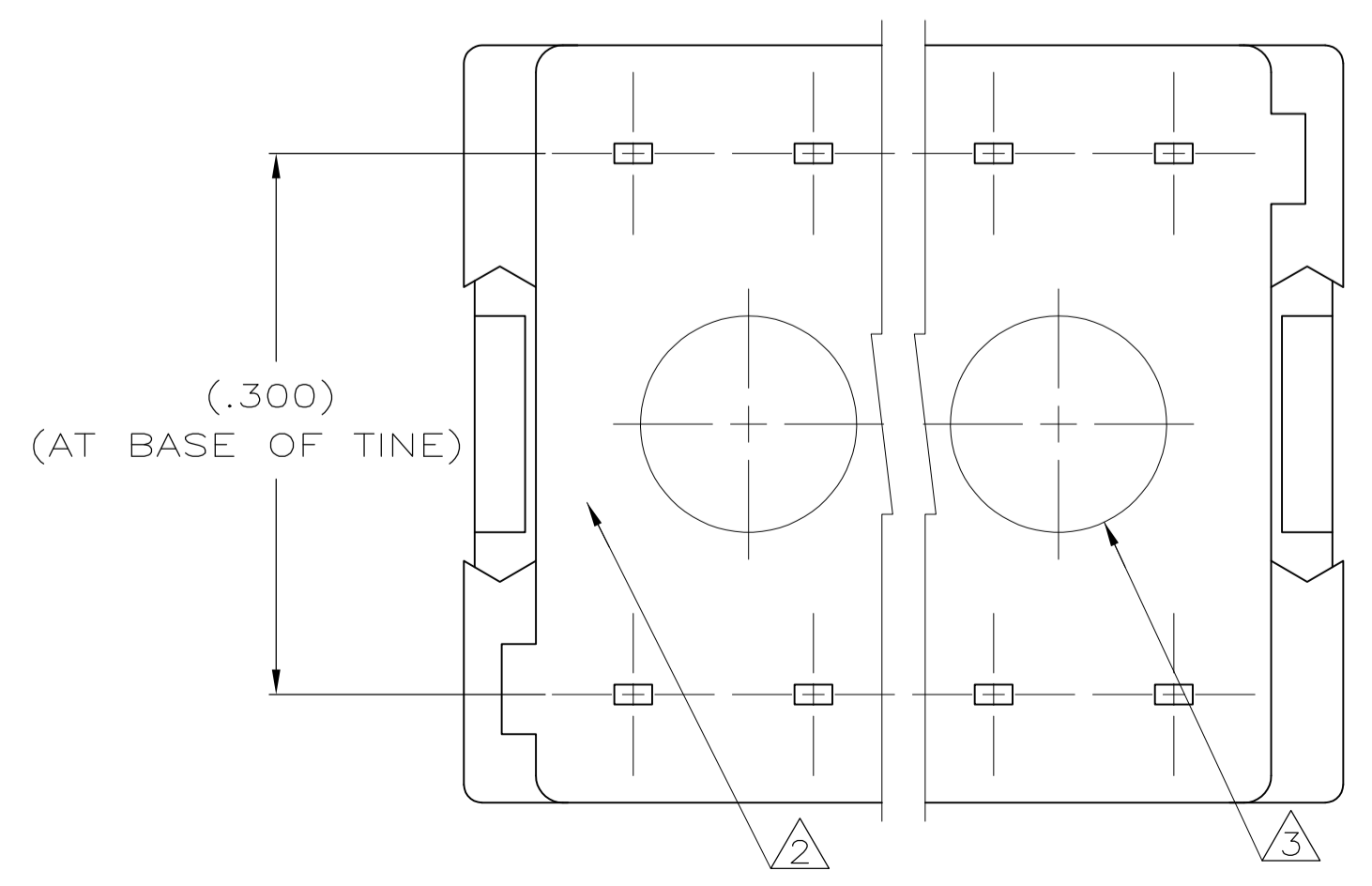
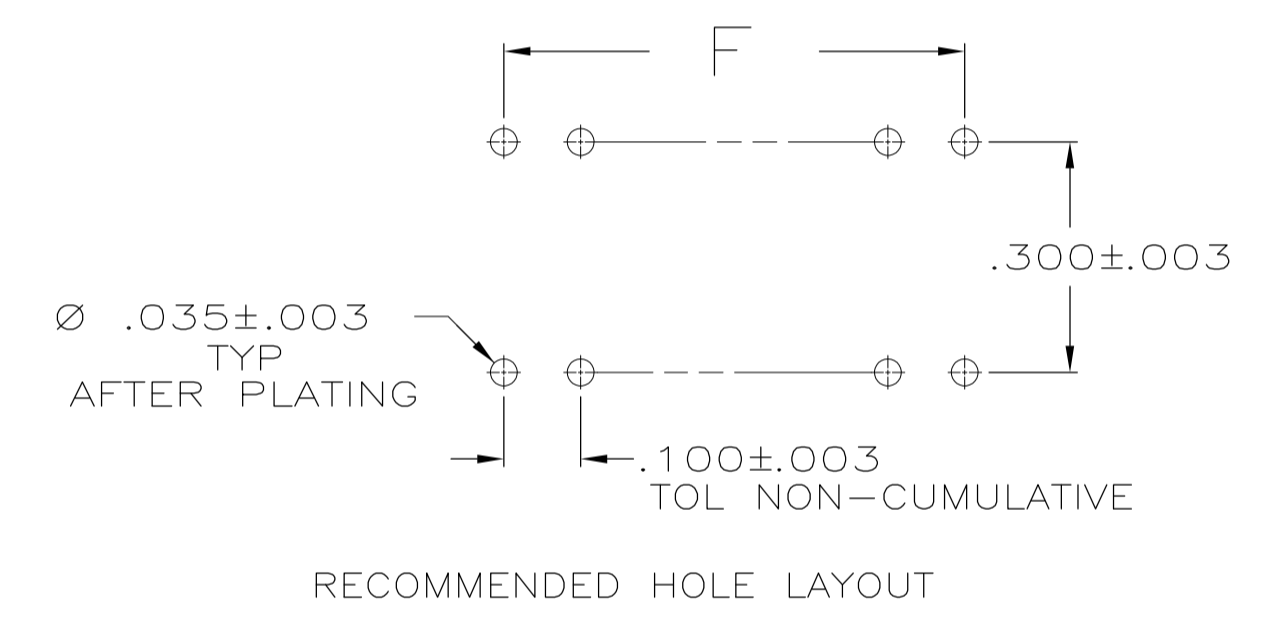
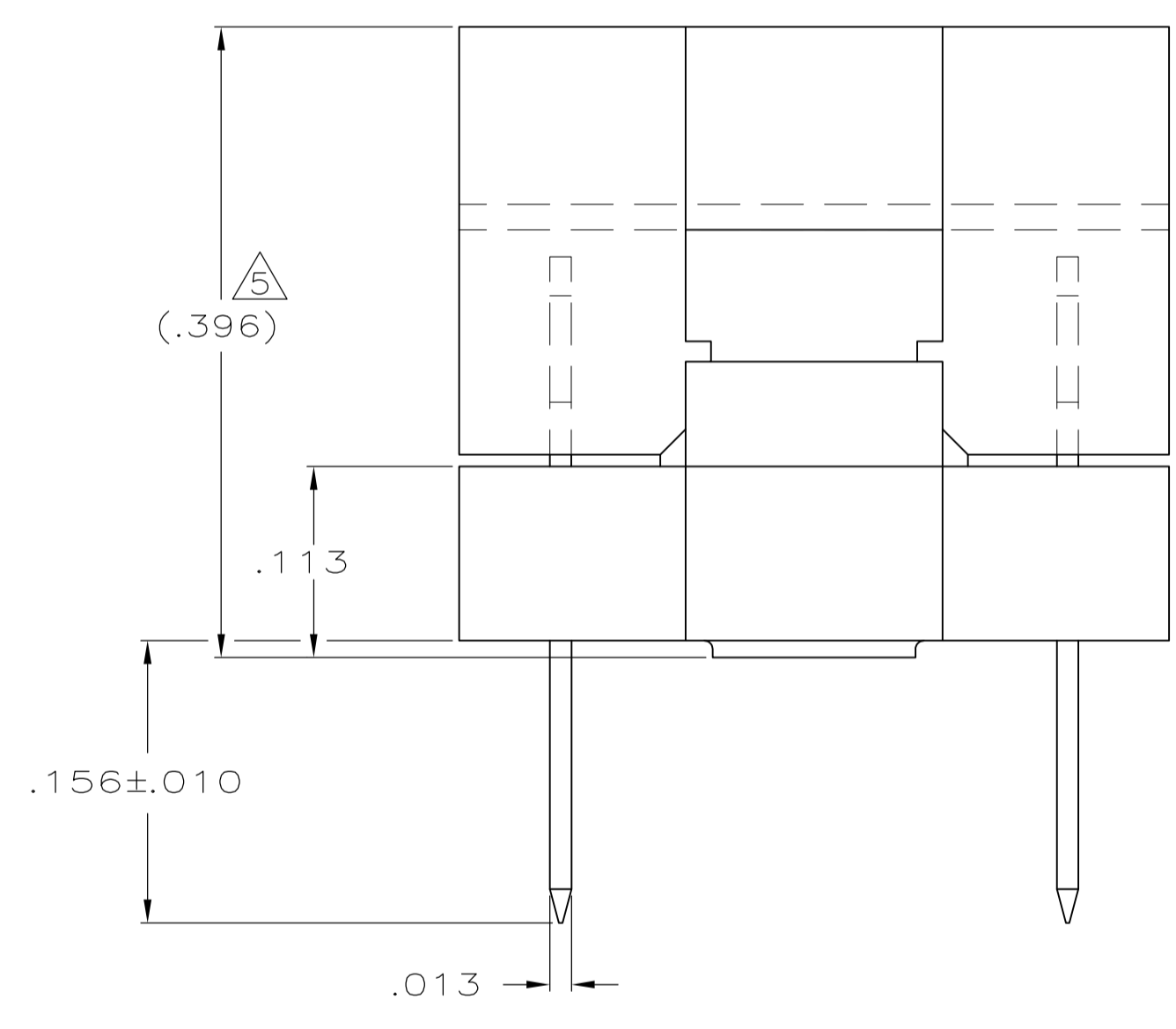
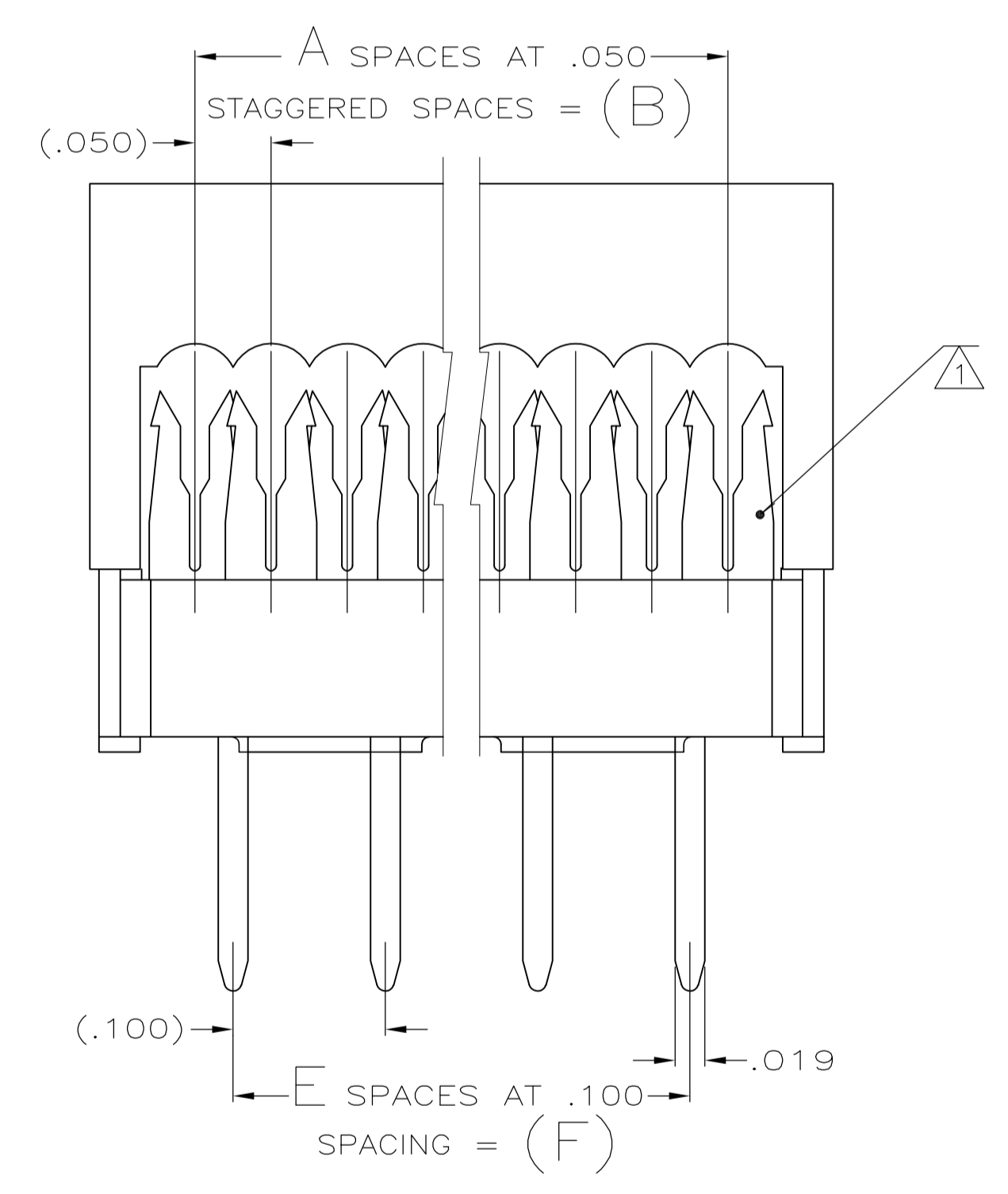
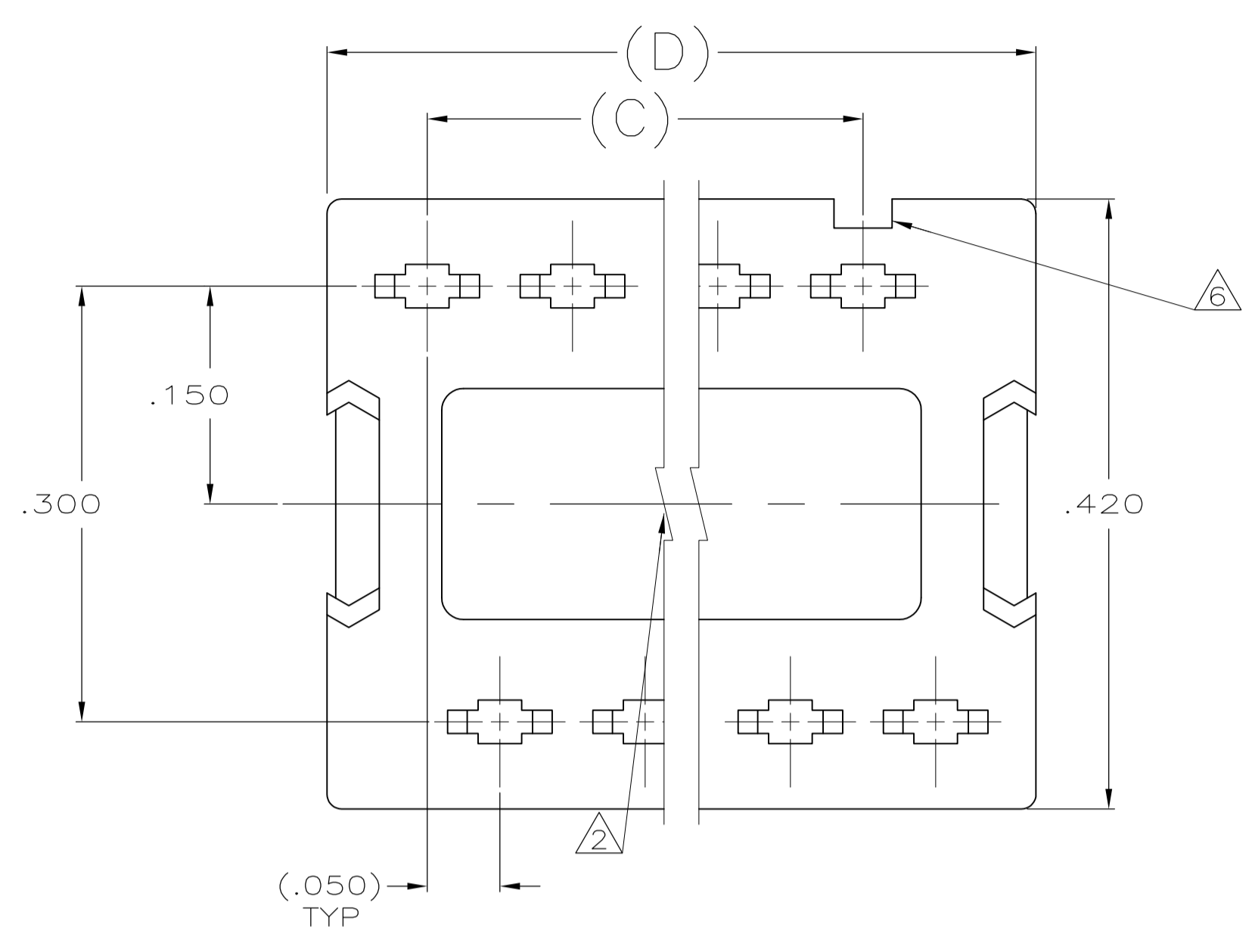


| LOC | | DIST | | REVISIONS | | | |
|-----|----|---------------------------|-----------|-----------|------|------|--|
| GP | 00 | REV | DATE | BY | CHKD | APPD | |
| C | | REVISED PER ECO-13-012013 | 09AUG2013 | CJV | CWR | | |

- ① CONTACTS DESIGNED FOR 26 & 28 AWG STRANDED OR 26, 28 & 30 AWG SOLID WIRE.
- ② AMP TRADEMARK LOCATED IN APPROX AREA SHOWN.
- ③ STANDOFFS: POSN 8 (2) STANDOFFS AS SHOWN. POSN 14-20 (3) STANDOFFS, (1) CENTERED BETWEEN (2) SHOWN
- ④ .000005 MIN GOLD ON RIBBON CABLE TERMINATION AREA
.000100-.000200 MATTE TIN ON SOLDER TAILS, ALL OVER
.000050 MIN NICKEL.
- ⑤ HEIGHT AFTER TERMINATION IS (.253).
- ⑥ INDICATES NO 1 POSITION.
- ⑦ MOLDED PARTS: 94V-0 RATED THERMOPLASTIC, COLOR BLACK.
CONTACTS: PHOS BRONZE



| | | | | | | | | |
|----------|------|---|-------|------|------|----|------------|-----------|
| OBSOLETE | .900 | 9 | 1.088 | .900 | .950 | 19 | 20 | 5746613-5 |
| OBSOLETE | .800 | 8 | .988 | .800 | .850 | 17 | 18 | -4 |
| | .700 | 7 | .888 | .700 | .750 | 15 | 16 | -3 |
| | .600 | 6 | .788 | .600 | .650 | 13 | 14 | -2 |
| | .300 | 3 | .488 | .300 | .350 | 7 | 8 | 5746613-1 |
| | F | E | D | C | B | A | NO OF POSN | |

THIS DRAWING IS A CONTROLLED DOCUMENT.

| | | | | | | | | | | |
|--------------------|--|---------------------------------|------------------------|---------------------------|------------------------|----------------------------|-----------|-----------------|--------------------|---------------|
| DIMENSIONS: INCHES | TOLERANCES UNLESS OTHERWISE SPECIFIED: | DIN G. ATTADIA - DOCKS 11-29-04 | APPG C. ROHDE 11-29-04 | NAME M. WALMSLEY 11-29-04 | PRODUCT SPEC 108-40013 | APPLICATION SPEC 114-40005 | SIZE A1 | CAGE CODE 00779 | DRAWING NO 5746613 | RESTRICTED TO |
| 0 PLC ± - | 1 PLC ± - | 2 PLC ± - | 3 PLC ± .005 | 4 PLC ± - | ANGLES ± - | WEIGHT - | SCALE NTS | SHEET 1 OF 1 | REV C | |

STE TE Connectivity

KIT, AMP-LATCH DIP PLUG, PREASSEMBLED .100 X .300 CENTERS.

CUSTOMER DRAWING